

SEMELAB

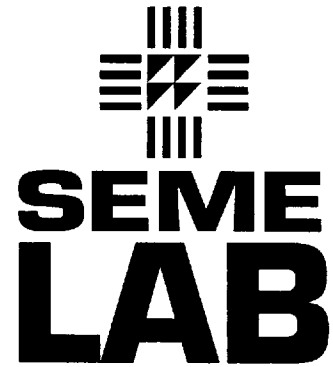
SEMELAB LTD T-27-01

BI-POLAR TRANSISTORS (CECC AND HIGH REL) & HIGH ENERGY

Type Number	Rel Code	Pol	Package	V _{ceo}	I _c (cont)	H _{fe}	@ V _{ce} /I _c	f _T	P _d
2N4898	CECC	PNP	T066	40	4	20-100	1/0.5	3M	25
2N4899	CECC	PNP	T066	60	4	20-100	1/0.5	3M	25
2N4900	CECC	PNP	T066	80	4	20-100	1/0.5	3M	25
2N4901	HR	PNP	T03	40	5	20-80	2/1	4M	87
2N4902	HR	PNP	T03	60	5	20-80	2/1	4M	87
2N4903	HR	PNP	T03	80	5	20-80	2/1	4M	87
2N4904	HR	PNP	T03	40	5	25-100	2/2.5	4M	87
2N4905	HR	PNP	T03	60	5	25-100	2/2.5	4M	87
2N4906	HR	PNP	T03	80	5	25-100	2/2.5	4M	87
2N4907	REQ	PNP	T03	40	10	20-80	4/4	4M	150
2N4908	REQ	PNP	T03	60	10	20-80	4/4	4M	150
2N4909	REQ	PNP	T03	80	10	20-80	4/4	4M	150
2N4910	CECC	NPN	T066	40	4	20-100	1/0.5	3M	25
2N4911	CECC	NPN	T066	60	4	20-100	1/0.5	3M	25
2N4912	CECC	NPN	T066	80	4	20-100	1/0.5	3M	25
2N4913	HR	NPN	T03	40	5	25-100	2/2.5	4M	88
2N4914	HR	NPN	T03	60	5	25-100	2/2.5	4M	88
2N4915	HR	NPN	T03	80	5	25-100	2/2.5	4M	88
2N4928	HR	PNP	T039	100	0.1	20min	10/1m	100M	0.6
2N4929	HR	PNP	T039	150	50m	25-250	10/10m	100M	1
2N4930	HR	PNP	T039	200	50m	25-200	10/10m	20M	1
2N4931	HR	PNP	T039	250	0.5	20min	10/1m	20M	1
2N4937	HR	PNP	T077	40	50m	50min	10/1m	300M	0.5
2N4938	HR	PNP	T077	40	50m	50min	10/1m	300M	0.5
2N4939	HR	PNP	T077	40	50m	50min	10/1m	300M	0.5
2N4957	REQ	PNP	T072	30	30m	20min	10/2m		0.2
2N4999	HR	PNP	T059	80	2	30-90	5/1	50M	30
2N5000	HR	NPN	T059	80	2	70-200	5/1	60M	30
2N5001	HR	PNP	T059	80	2	70-200	5/1	60M	30
2N5001S	HR	NPN	T059	80	2	70-200	5/1	60M	30
2N5002	HR	NPN	T059	80	2	30-90	5/2.5	60M	50
2N5010	HR	NPN	T039	500	0.5	30-180	10/25m	20M	2
2N5011	HR	NPN	T039	600	0.5	30-180	10/25m	20M	2
2N5012	HR	NPN	T039	700	0.5	30-180	10/25m	20M	2
2N5013	HR	NPN	T039	800	0.5	30-180	10/25m	20M	2
2N5014	HR	NPN	T039	900	0.5	30-180	10/25m	20M	2
2N5015	HR	NPN	T039	1000	0.5	30-180	10/25m	20M	2
2N5015S	HR	NPN	T039	1000	0.5	30-180	10/20m	20M	2
2N5023	HR	PNP	T039	30	0.5	40-100	1/0.5	200M	1
2N5038	CECC	NPN	T03	90	20	20-100	5/12	50M	140
2N5039	CECC	NPN	T03	75	20	20-100	5/10	50M	140
2N5050	HR	NPN	T066	125	2	25-100	5/0.75	10M	40
2N5051	HR	NPN	T066	150	2	25-100	5/0.75	10M	40
2N5052	HR	NPN	T066	200	2	25-100	5/0.75	10M	40
2N5058	REQ	NPN	T039	300	0.15	35-150	25/30m	30M	1
2N5059	REQ	NPN	T039	250	0.15	35-150	25/30m	30M	1
2N5067	REQ	NPN	T03	40	5	20-80	2/1	4M	88
2N5068	REQ	NPN	T03	60	5	20-80	2/1	4M	88
2N5069	REQ	NPN	T03	80	5	20-80	2/1	4M	88
2N5092	REQ	NPN	T039	350	1	15-250	10/0.1	50M	2
2N5095	HR	NPN	T039	400	1	15-250	10/0.1	50M	2
2N5097	HR	NPN	T039	450	1	15-250	10/0.1	50M	2
2N5099	HR	NPN	T039	550	1	15-250	10/0.1	50M	2
2N5109	REQ	NPN	T039	20	0.5	40-120	15/50m	1.2G	2.5
2N5151	HR	PNP	T039	80	5	30-90	5/2.5	60M	10
2N5151S	HR	PNP	T039	80	5	30-90	5/2.5	60M	10
2N5152	HR	NPN	T039	80	5	30-90	5/2.5	60M	10

HI-REL

HERMETIC SURFACE MOUNT DISCRETE SEMICONDUCTORS



DUEL CERAMIC HERMETICALLY SEALED SURFACE MOUNT DEVICES

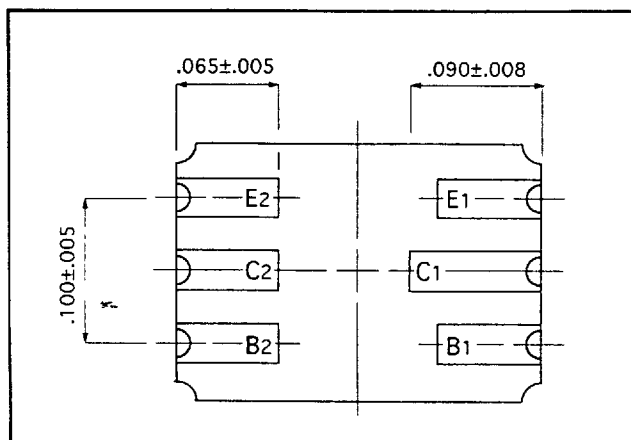
2N2060DCSM	2N3347DCSM
2N2221ADCSM	2N3348DCSM
2N2221DCSM	2N3349DCSM
2N2222ADCSM	2N3350DCSM
2N2222DCSM	2N3351DCSM
2N2369ADCSM	2N3352DCSM
2N2453DCSM	2N3410DCSM
2N2639DCSM	2N3680DCSM
2N2640DCSM	2N3807DCSM
2N2641DCSM	2N3808DCSM
2N2642DCSM	2N3809DCSM
2N2643DCSM	2N3810DCSM
2N2644DCSM	2N3811ADCSM
2N2894DCSM	2N3811DCSM
2N2906ADCSM	2N3904DCSM
2N2907ADCSM	2N4937DCSM
2N2913DCSM	2N4938DCSM
2N2914DCSM	BFX80DCSM
2N2915DCSM	BFX81DCSM
2N2916DCSM	BFY81DCSM
2N2917DCSM	BFY82DCSM
2N2918DCSM	BFY84DCSM
2N2919DCSM	
2N2920DCSM	
2N2979DCSM	
2N3209DCSM	
2N3250DCSM	

In order to provide transistors and diodes with excellent tracking with temperature and excellent matching under all conditions, SEMELAB offers a duel die ceramic range.

Like the smaller single die SOT23 CSM device, this variant is intended for high reliability applications from use in space vehicles through to application in harsh environments where the plastic version is regarded as inadequate.

Devices are available to customers own specification and with release in accordance with SEMELAB's AQAP1 approval. CECC approved devices will be available in 1993.

Information on this line and other High Reliability products is available from SEMELAB or any any of our Agents.



SEMELAB plc

Coventry Road, Lutterworth,
Leicestershire. LE17 4JB
ENGLAND

Tel: 44 (0) 455 556565
Fax: 44 (0) 455 552612
Telex: 341927